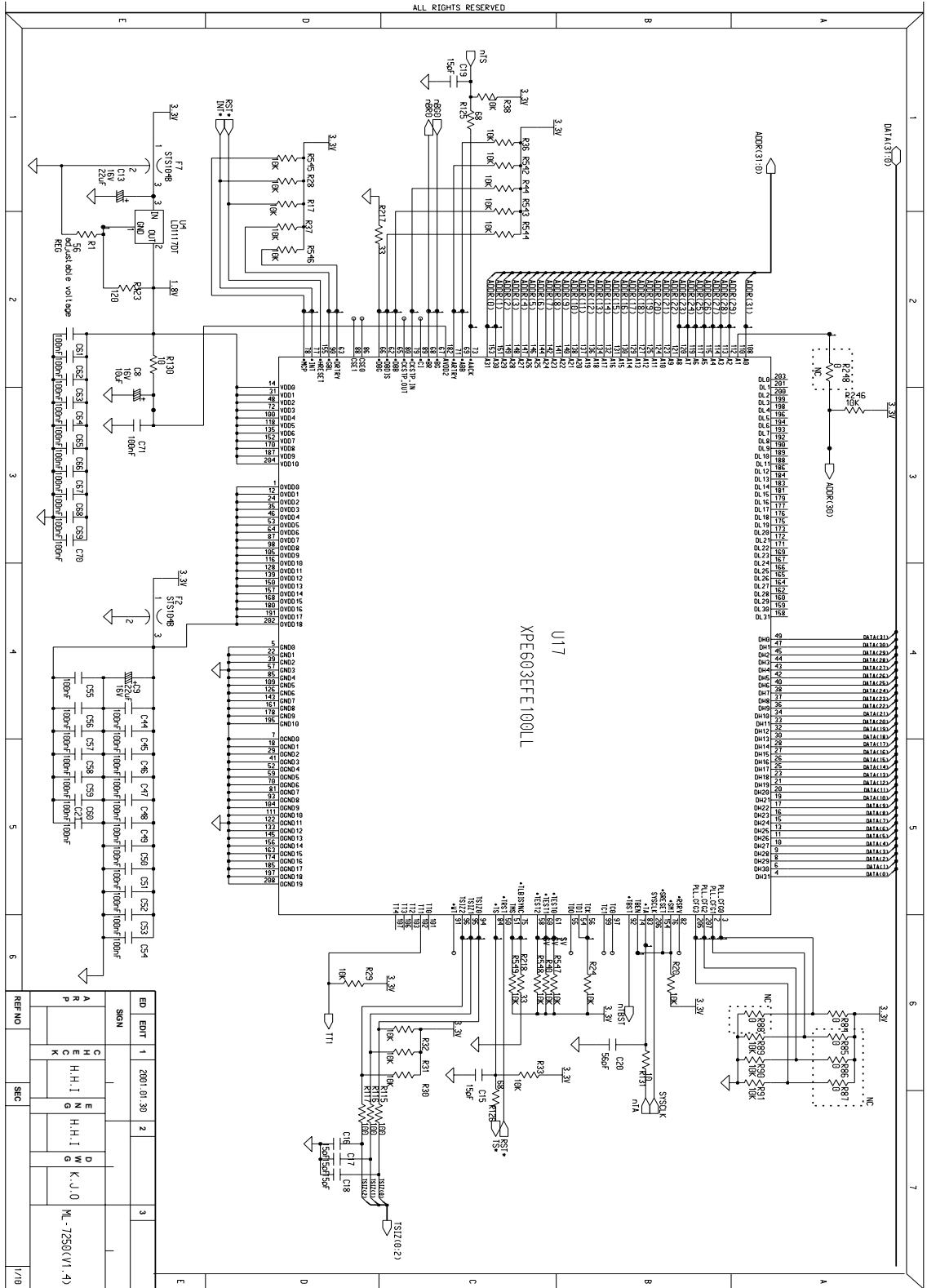
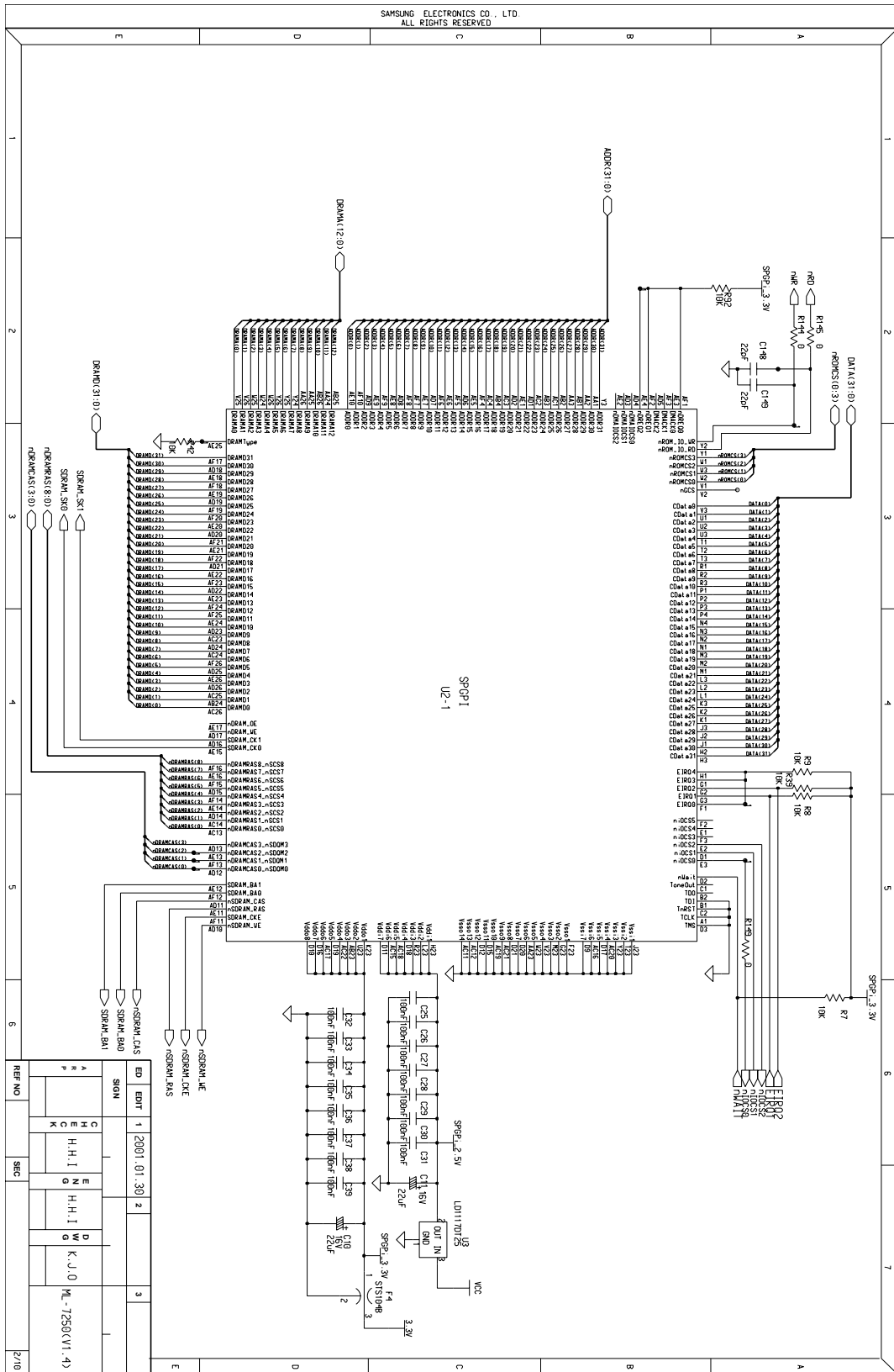


# 9. Schematic Diagrams

## 9-1 Main Circuit Diagram(1/10)

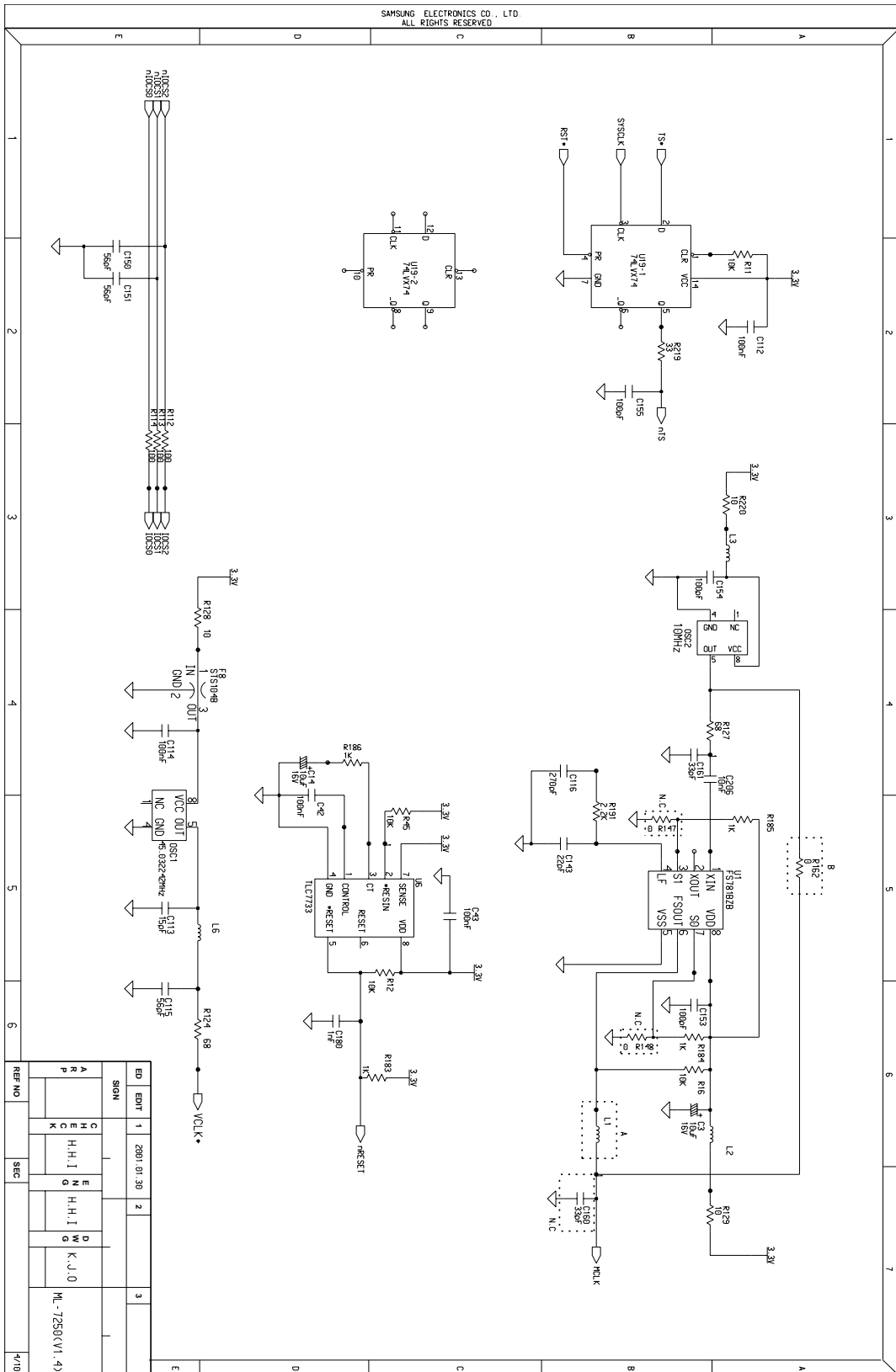


# Main Circuit Diagram(2/10)



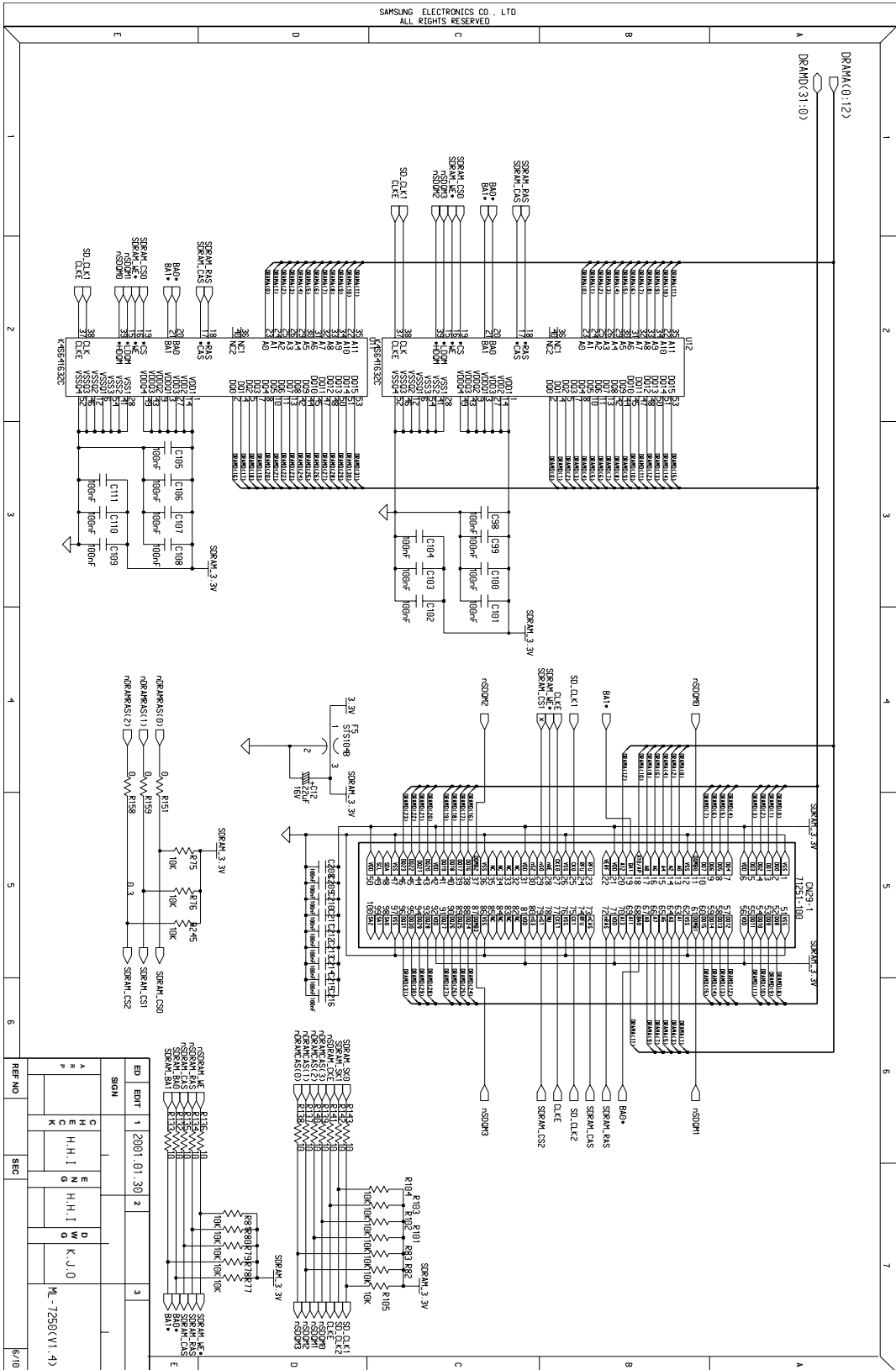


# Main Circuit Diagram(4/10)

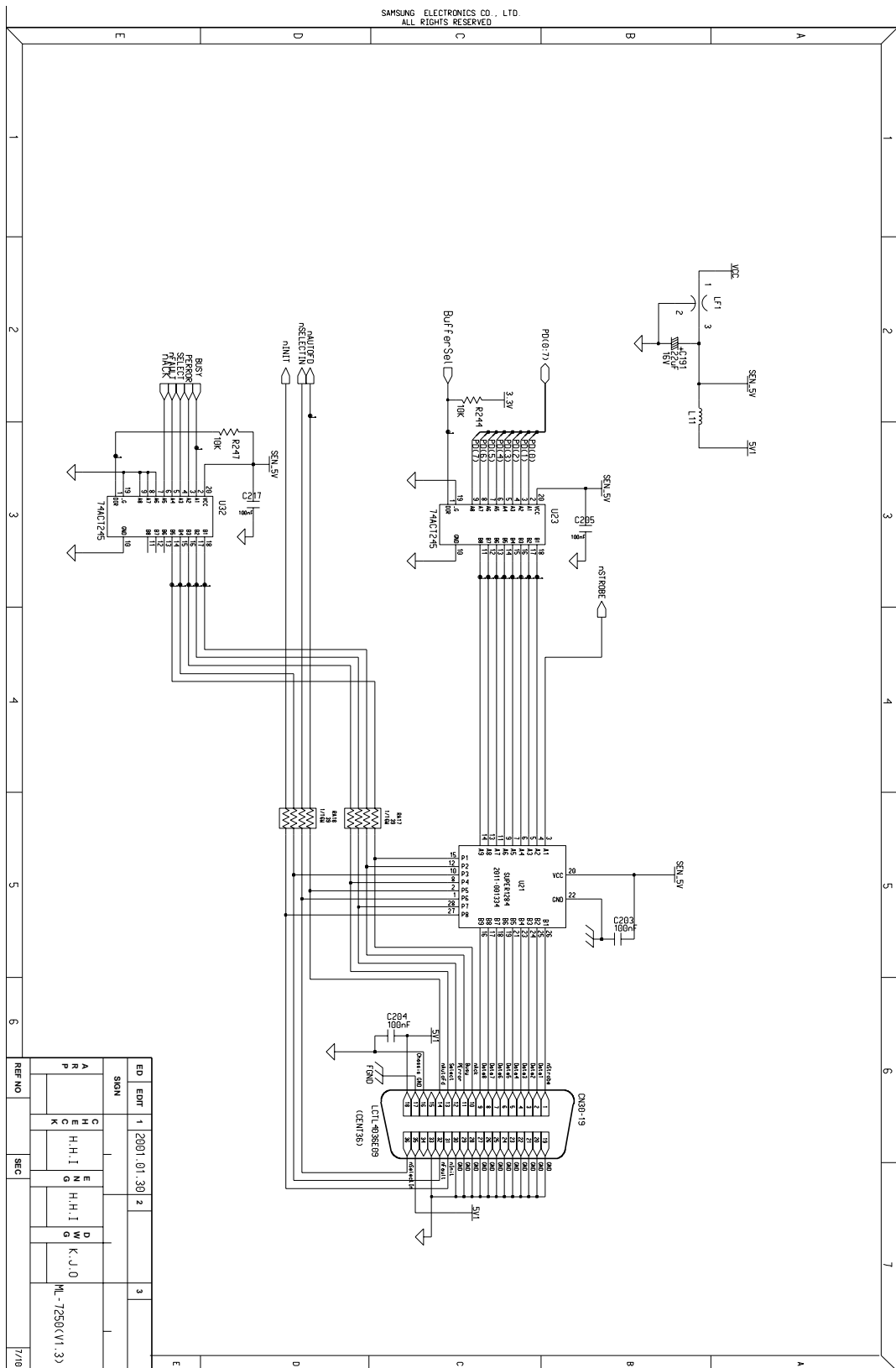




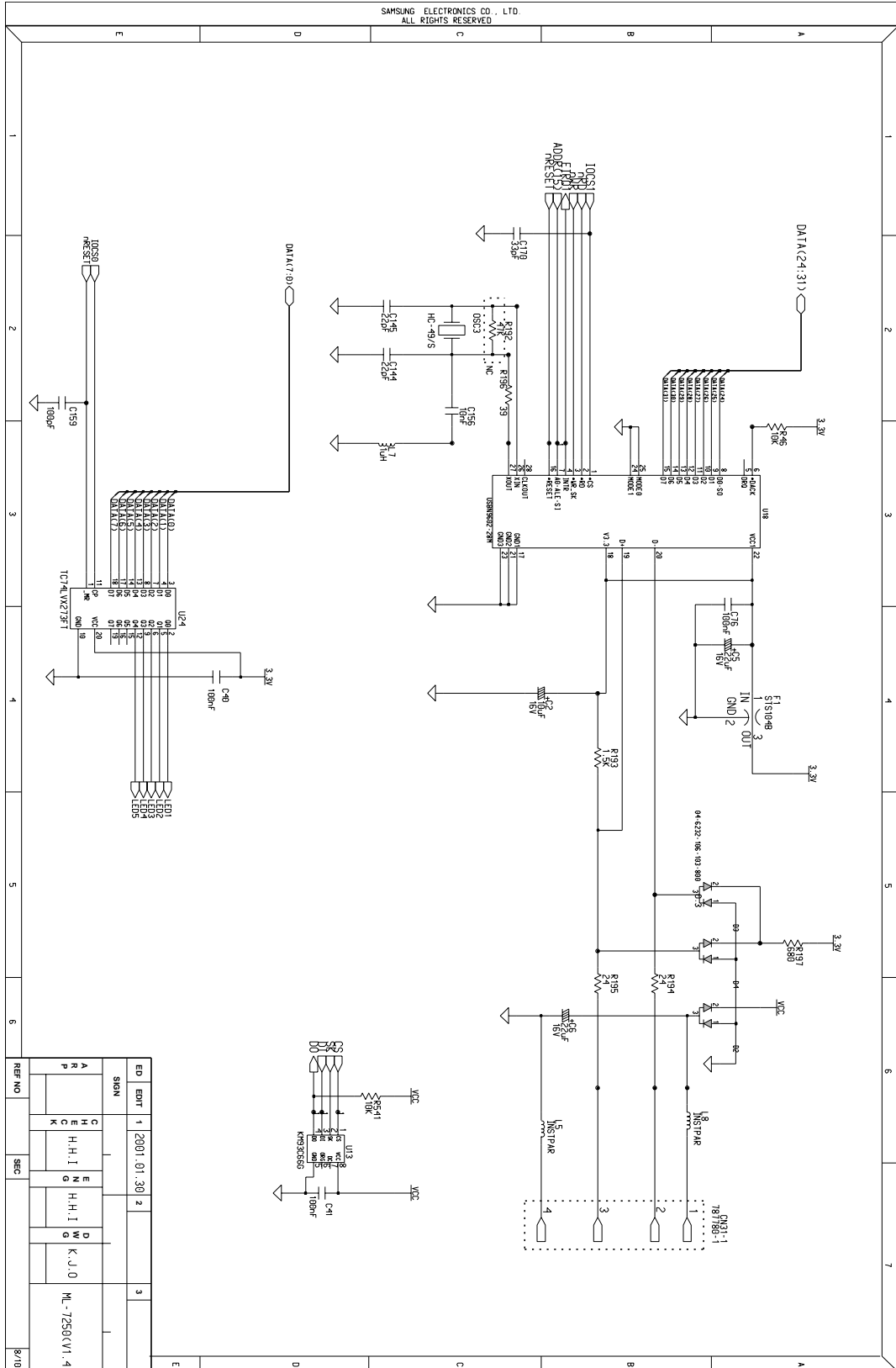
# Main Circuit Diagram(6/10)



# Main Circuit Diagram(7/10)

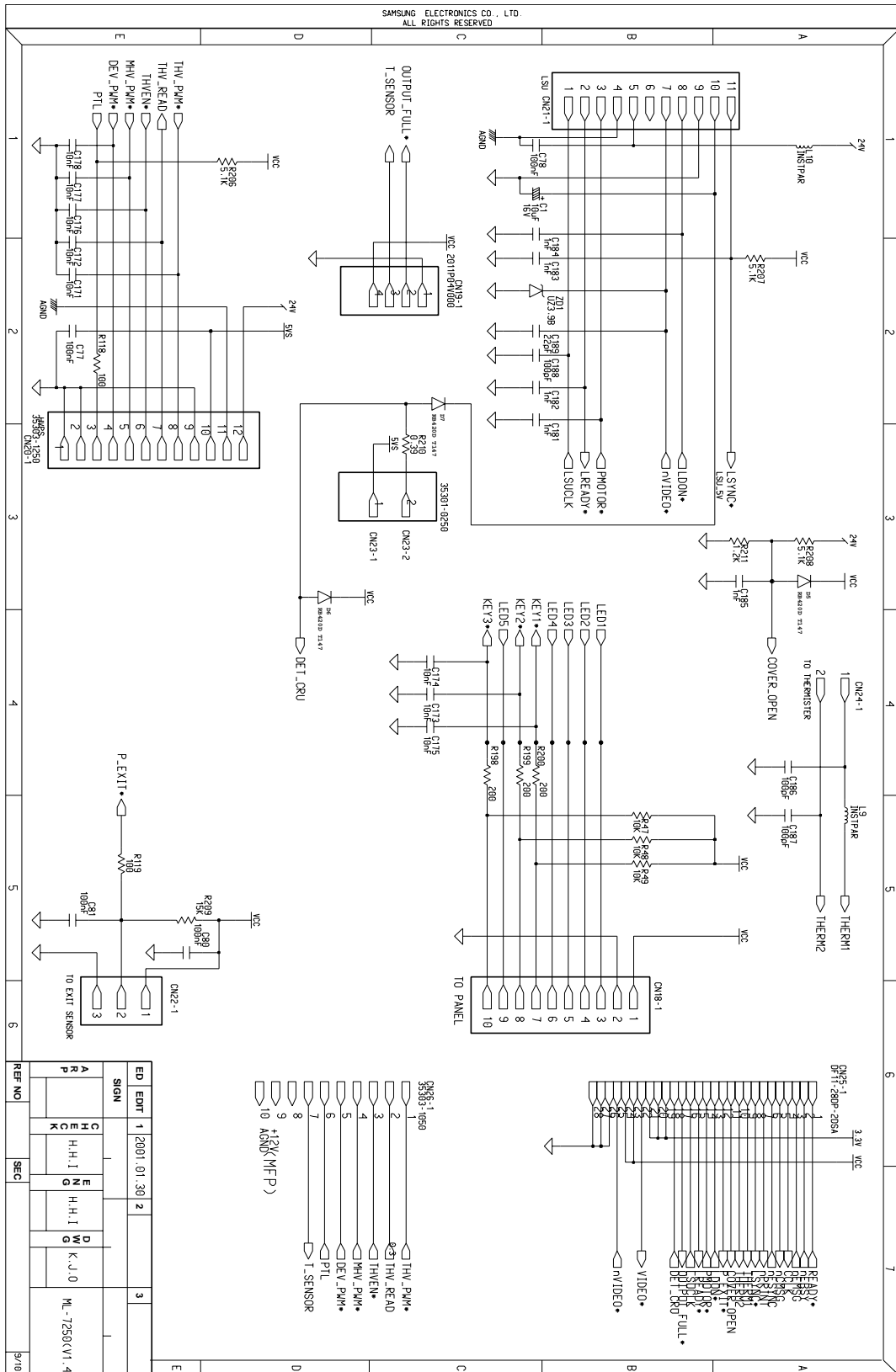


# Main Circuit Diagram(8/10)





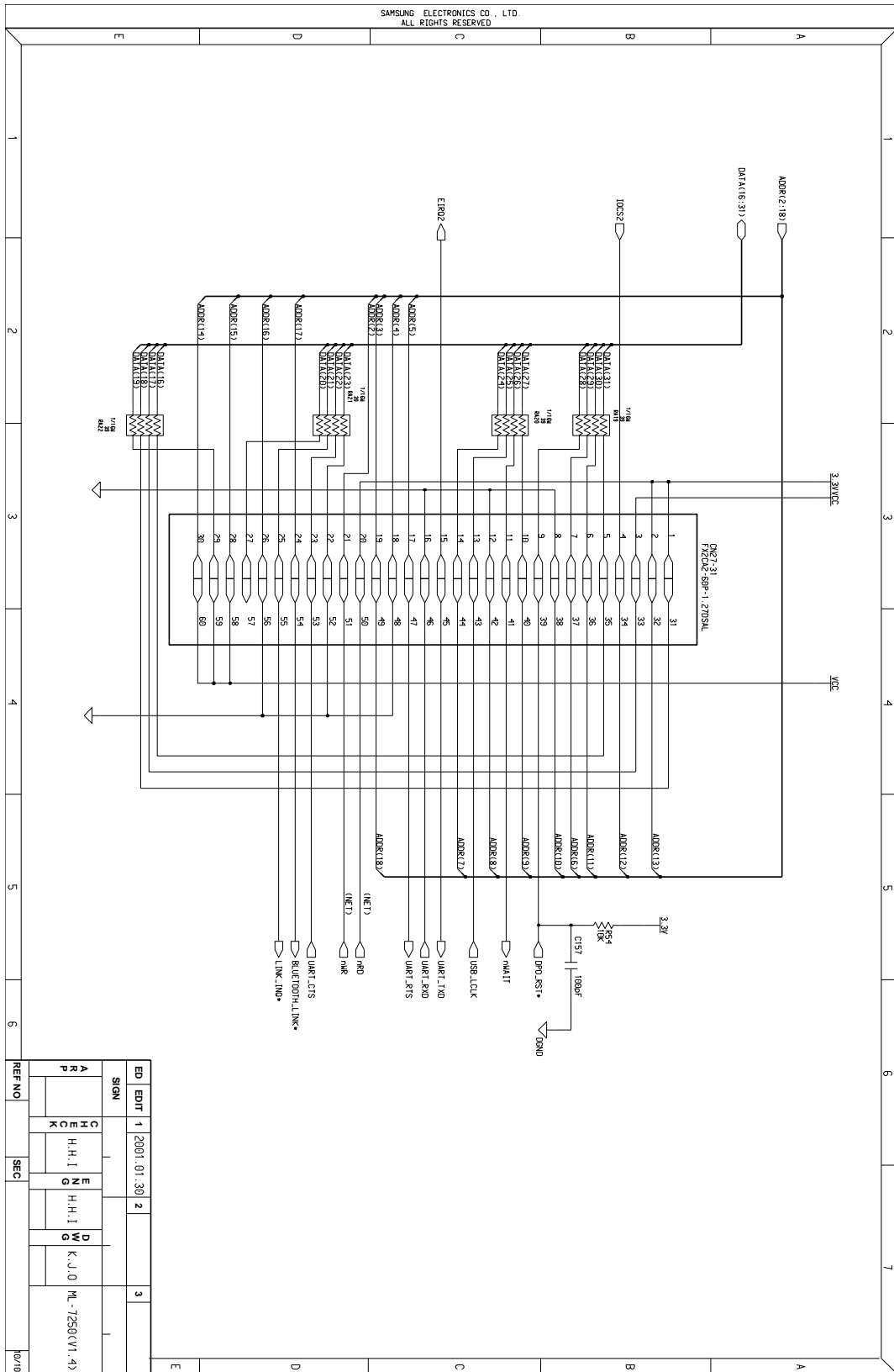
# Main Circuit Diagram(9/10)



ED	EDT	1	2001.01.30	2	3
SIGN					
A	R				
E	H	H	I	G	
C	H	H	I	G	
K					
SEC					
ML-750(V1.4)					

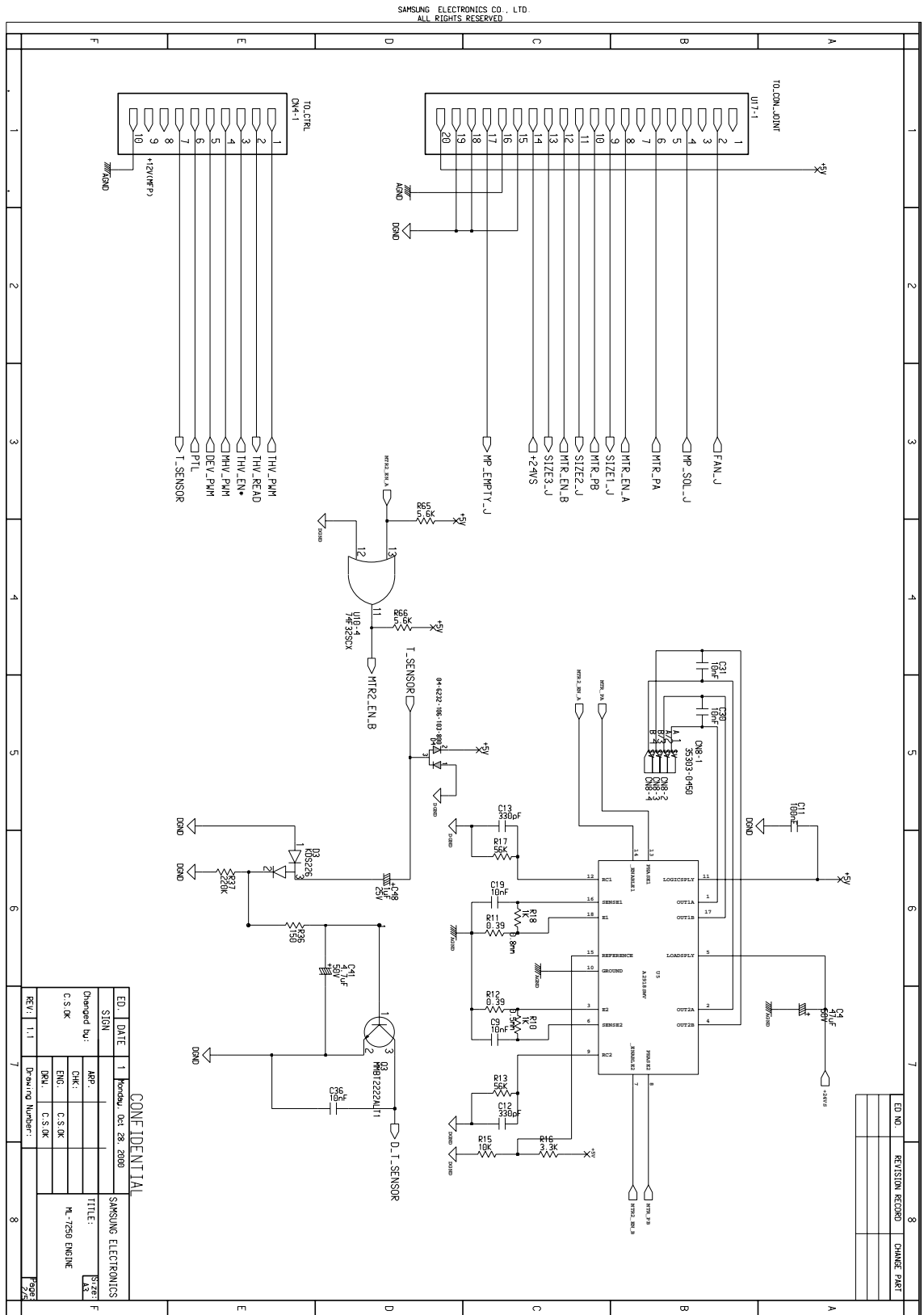
- 1 THV\_PWM+
- 2 THV\_READ
- 3 THVEN+
- 4 HHV\_PWM+
- 5 DEV\_PWM+
- 6 PTL
- 7 T,SENSOR
- 8
- 9 +12V(MFP)
- 10 AONDK

# Main Circuit Diagram(10/10)



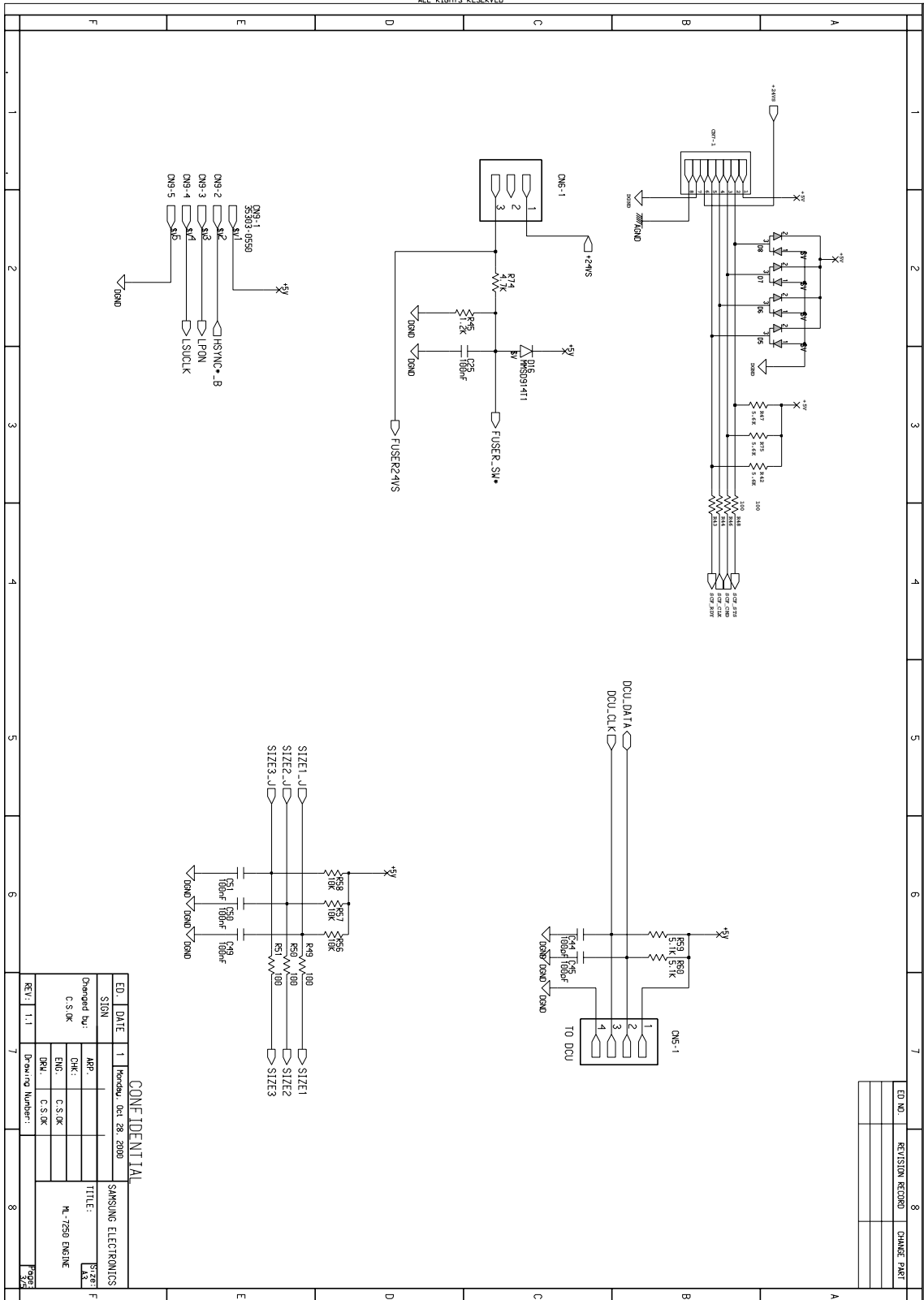


# Engine Circuit Diagram(2/5)



# Engine Circuit Diagram(3/5)

SAMSUNG ELECTRONICS CO., LTD.  
ALL RIGHTS RESERVED



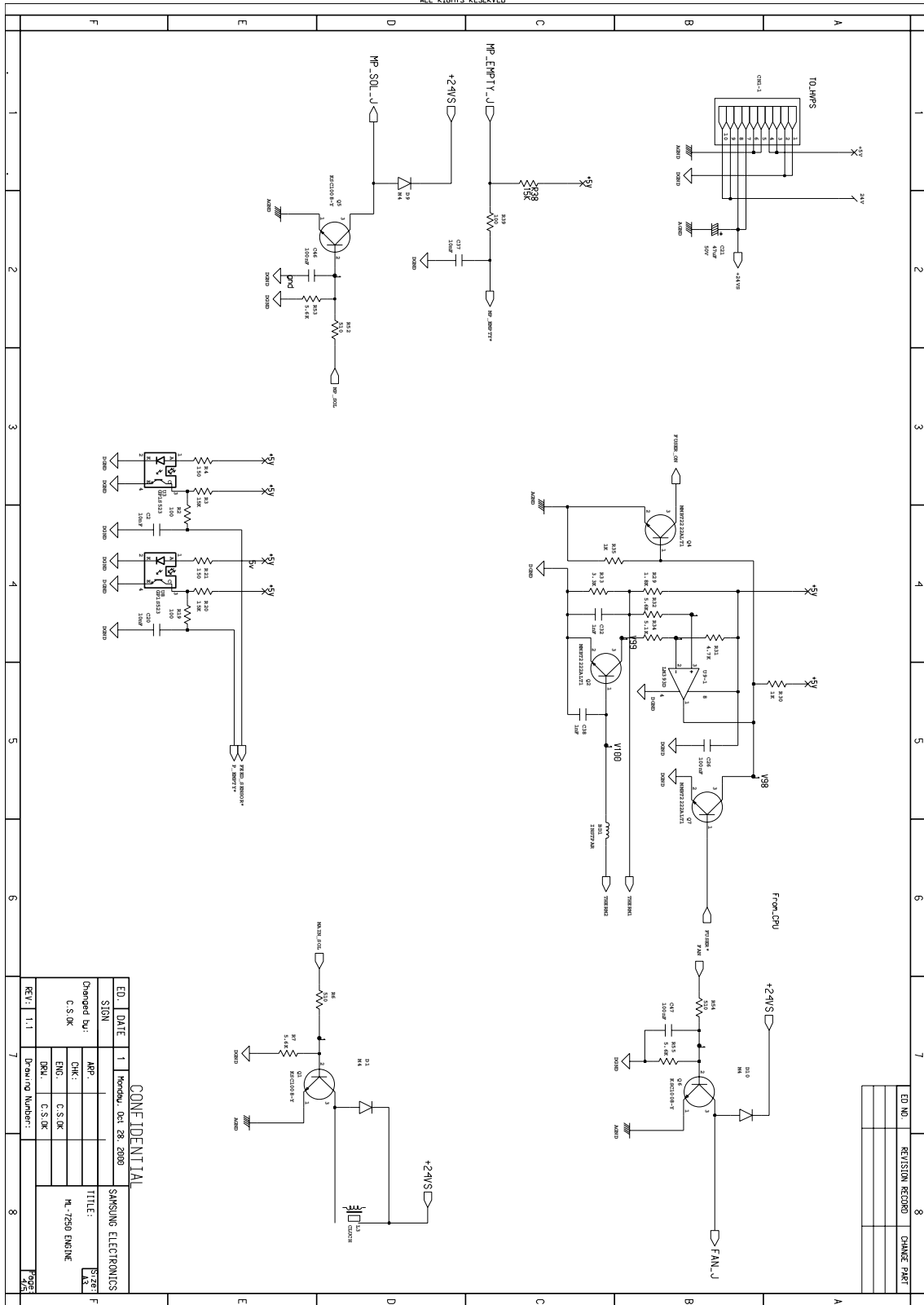
**CONFIDENTIAL**

ED.	DATE	1	Monday, Oct 28, 2008
SAMSUNG ELECTRONICS			
Changed by:	AMP:		1/28
CHK:	C.S. OK		F
ENG:	C.S. OK		
DBL:	C.S. OK		
REV:	1.1	Drawing Number:	
			Page: 3/2

ED. NO.	REVISION RECORD	CHANGE PART

# Engine Circuit Diagram(4/5)

SAMSUNG ELECTRONICS CO., LTD.  
ALL RIGHTS RESERVED.

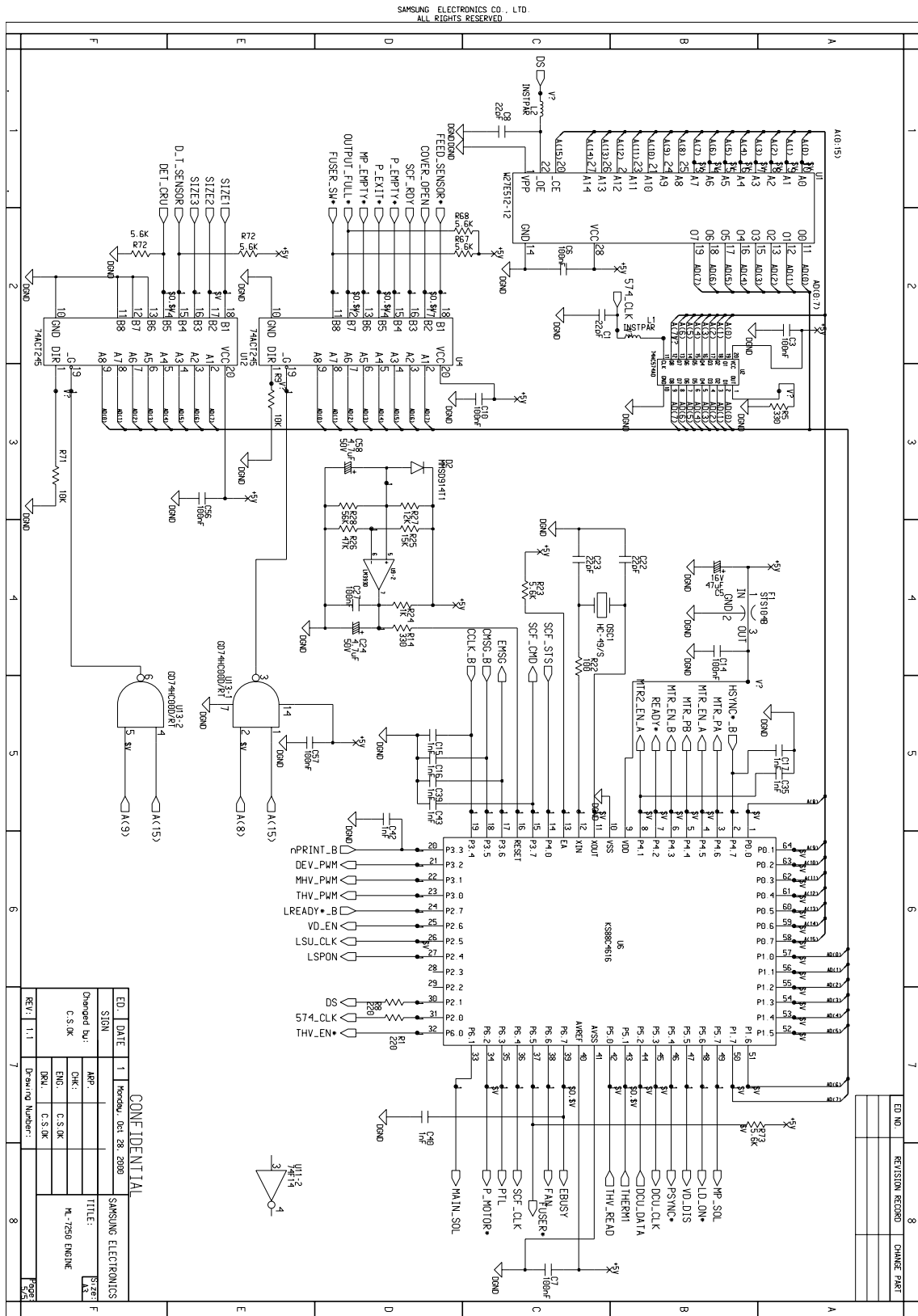


ED.	DATE	1	Monday, Oct 28, 2008	SAMSUNG ELECTRONICS	
SIEN	CHK:	APR.		TITLE: N248 F	
Changed by:	CHK:	ENG.	C.S. OK	HL-7500 ENGINE	
	CHK:	ENR.	C.S. OK	Drawing Number: 1928	
REV: 1.1	Drawing Number:			DATE: 09/05	

CONFIDENTIAL

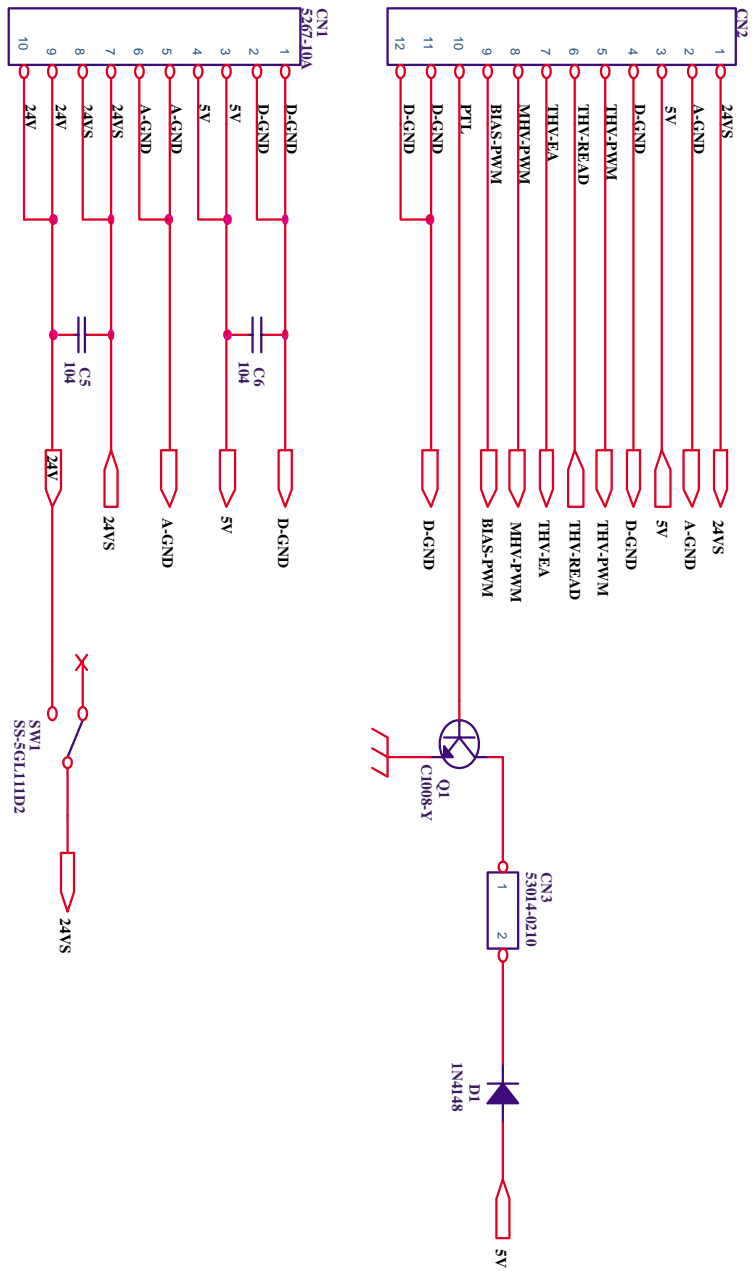
ED. NO.	REVISION RECORD	CHANGE PART

# Engine Circuit Diagram(5/5)



- This Document can not be used without Samsung's authorization -

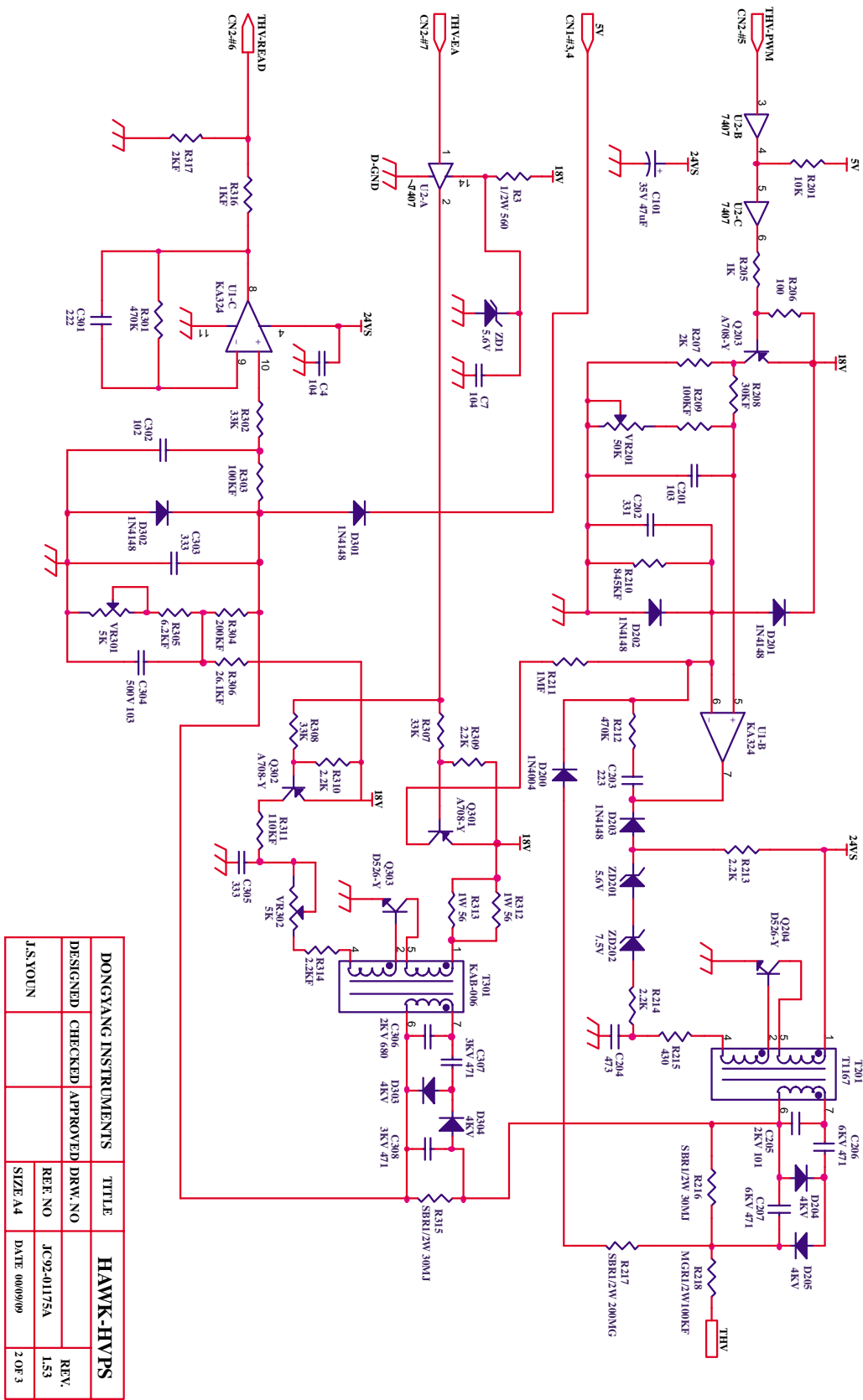
### 9-3 HVPS Circuit Diagram(1/3)



DONGYANG INSTRUMENTS			TITLE		HAWK-HVPS	
DESIGNED	CHECKED	APPROVED	DRW. NO			REV
J.S.YOON			REF. NO	J092-01175A	DATE	1.53
			SIZE: A4	0003/11		1 OF 3

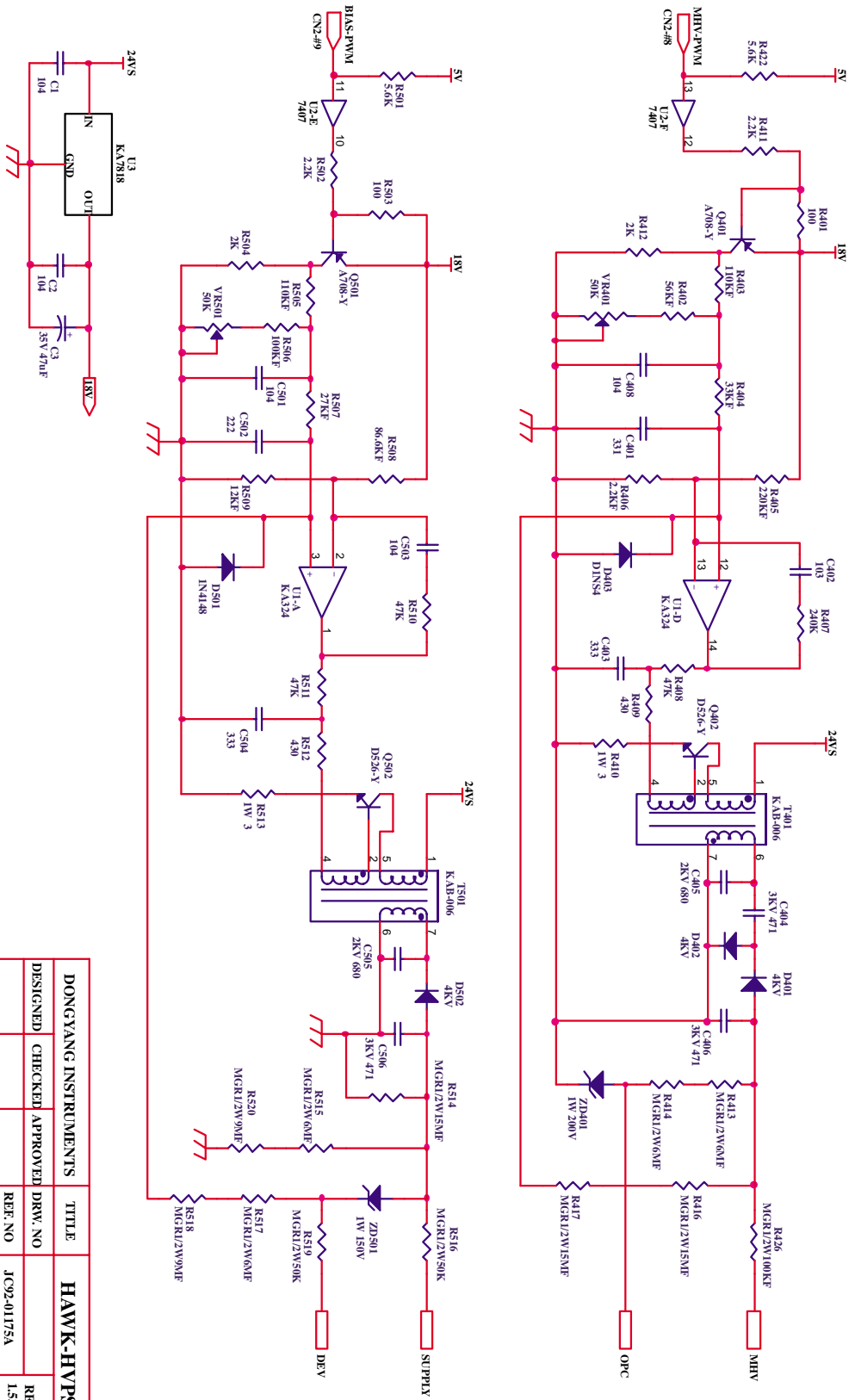


# HVPS Circuit Diagram(2/3)



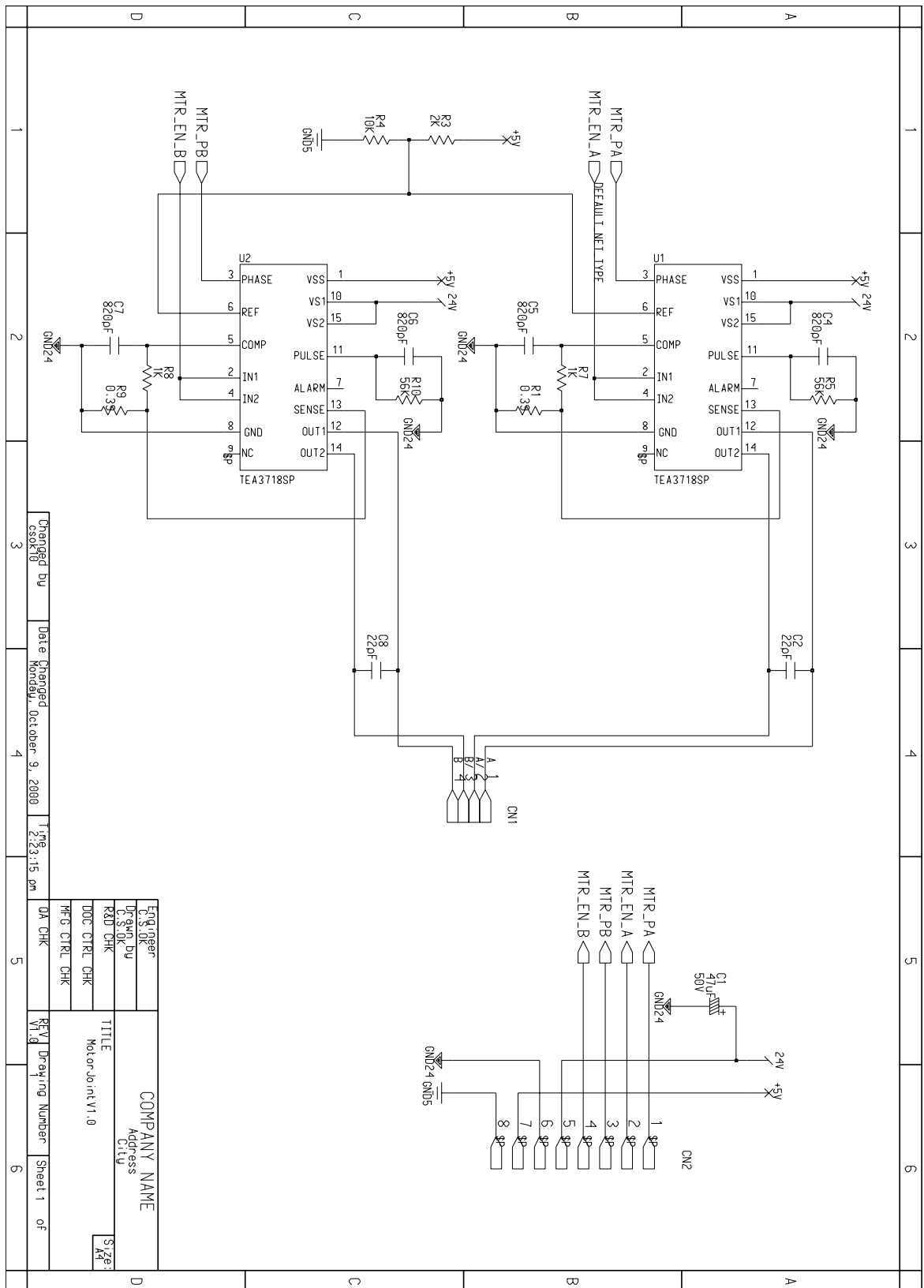
DONGYANG INSTRUMENTS			HAWK-HVPS		
DESIGNED	CHECKED	APPROVED	DRW. NO	REV.	
J.S.YOUN			JC-92-01175A	1.53	
			SIZE A4	DATE	0009/09
					2 OF 3

# HVPS Circuit Diagram(3/3)



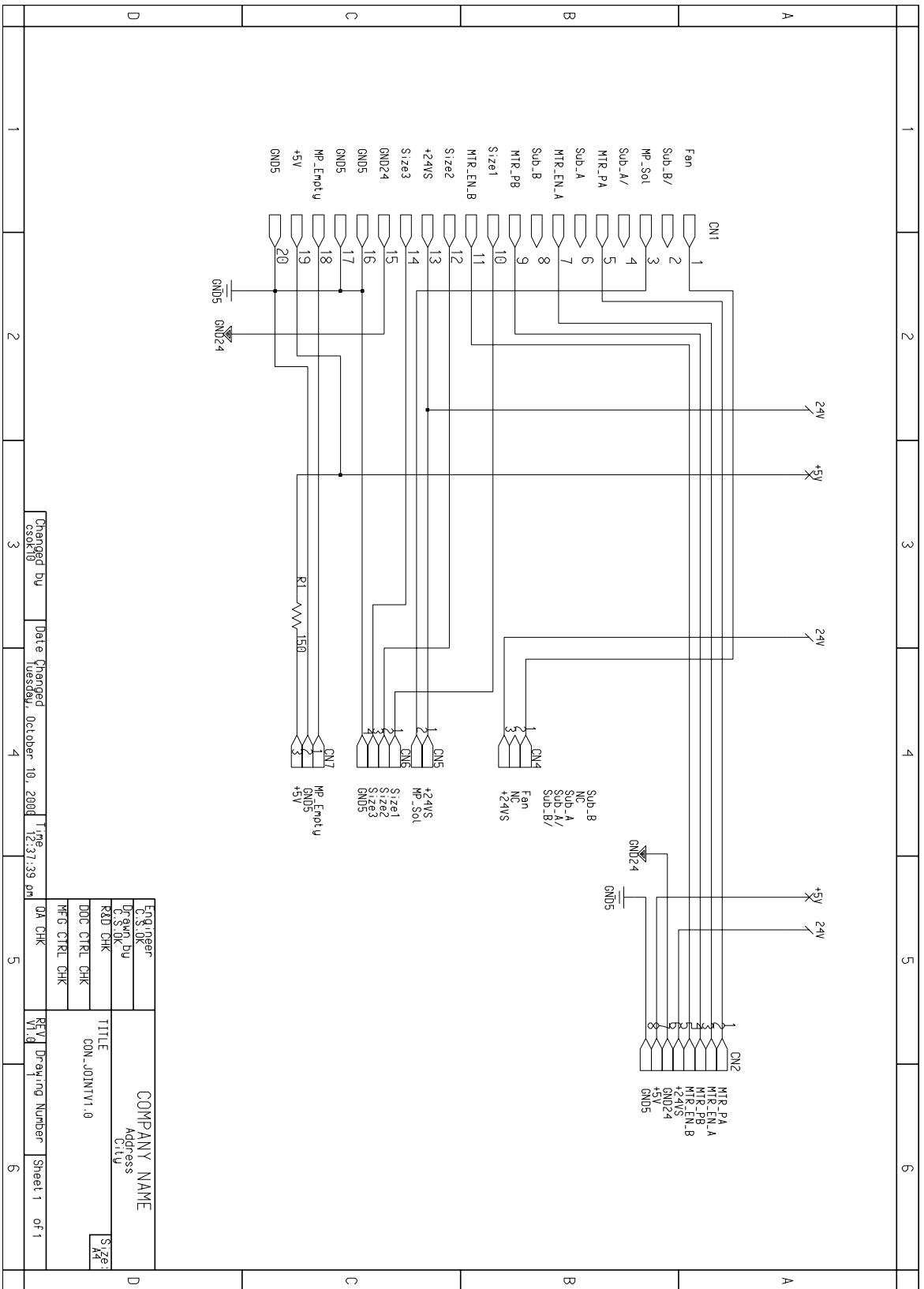
DONGYANG INSTRUMENTS			HAWK-HVPS		
DESIGNED	CHECKED	APPROVED	DRW. NO	REV.	REV.
J.S.YOUN			JC92-01175A	L53	
			SIZE A4	DATE 00/12/11	3 OF 3

# 9-4 Motor Circuit Diagram

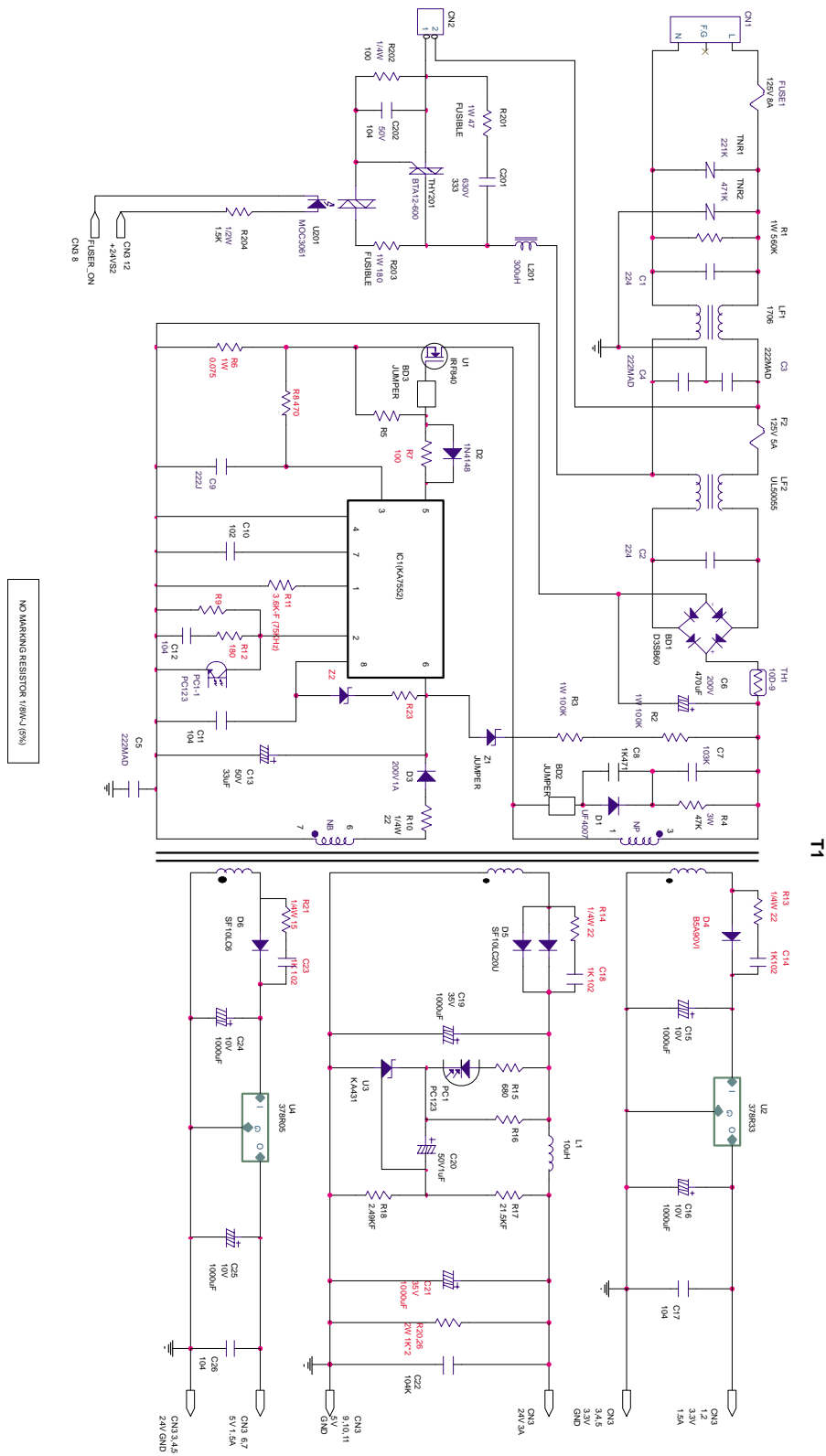


Changed by	Date	Time	Rev	Sheet 1 of 1
cs0610	October 9, 2000	2:23:15 pm	1.0	
DRG	CHK	CHK	CHK	CHK
COMPANY NAME Address City				
TITLE Motor Jcnct v1.0				
SIZE A4				

# 9-5 Jointr Circuit Diagram



# 9-6 SMPS Circuit Diagram(110V)



# SMPS Circuit Diagram(220V)

